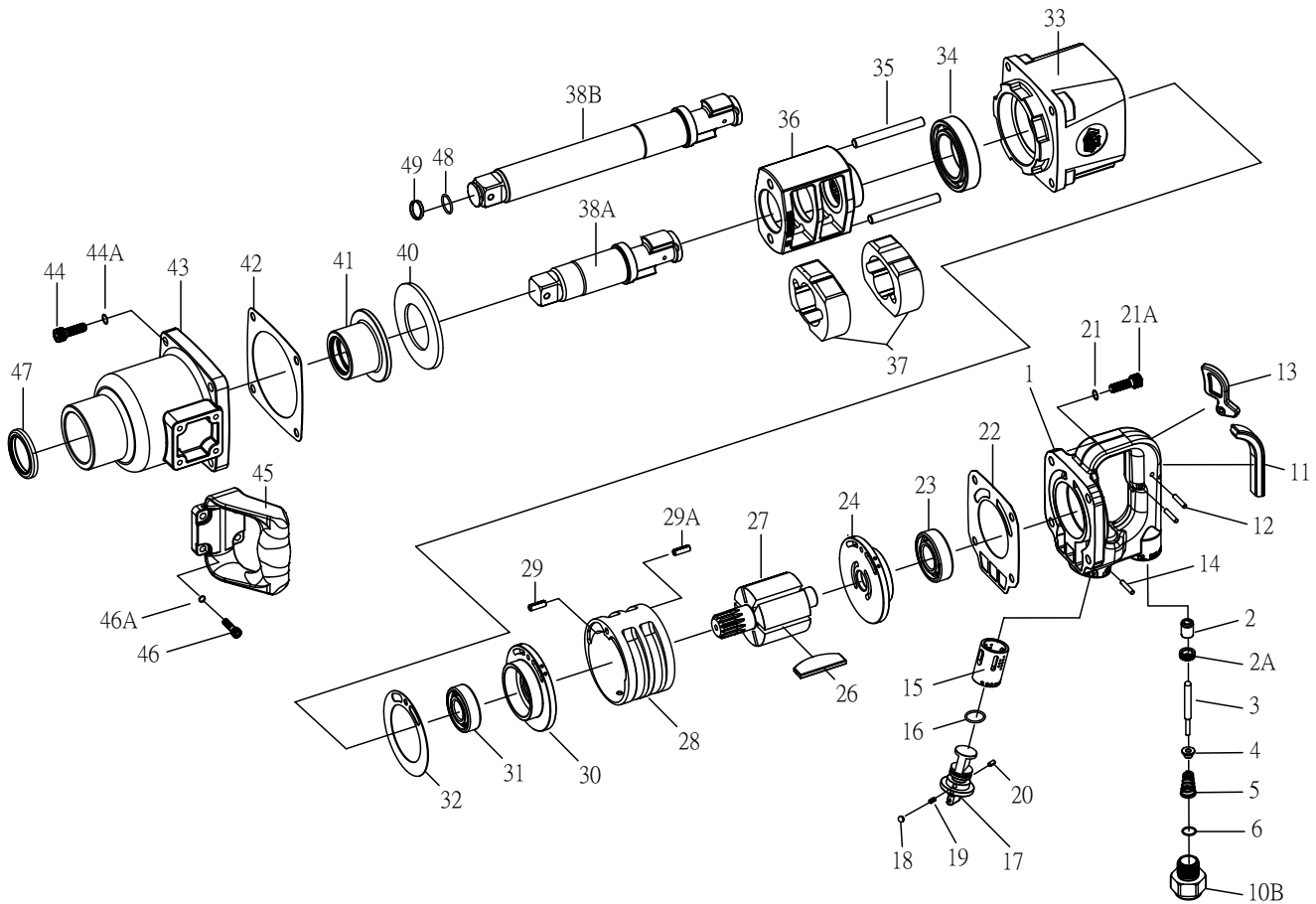




1" Drive Heavy Duty Air Impact Wrench



Parts List : 801500, 801506

2012.02

No.	Parts No.	Description	Q'ty
1	081001	Trigger Handle	1
2	081002	Throttle Valve Bushing	1
2A	081002A	Throttle Valve Seat	1
3	081003	Throttle Valve Stem	1
4	081004	Throttle Valve	1
5	081005	Throttle Valve Spring	1
6	081006	O-Ring	1
10B	081010B	Hose Fitting	1
11	081011	Rubber Cap (for Inside Trigger)	1
12	081012	Trigger Pin	2
13	081013	Trigger	1
14	081014	Spring Pin	1
15	081015	Valve Sleeve	1
16	081016	O-Ring	1
17	081017	Reverse Valve	1
18	081018	Steel Ball	1
19	081019	Spring	1
20	081020	Spring Pin	1
21	081021	Spring Washer	4
21A	081021A	Cap Screw	4
22	081022	Rear Cap Gasket	1
23	081023	Rear Rotor Bearing	1
24	081024	Rear End Plate	1
26	081026	Rotor Blade	6
27	081027	Rotor	1
28	081028	Cylinder	1

No.	Parts No.	Description	Q'ty
29	081029	Spring Pin	1
29A	081029A	Spring Pin	1
30	081030	Front End Plate	1
31	081031	Front Rotor Bearing	1
32	081032	End Plate Gasket	1
33	081033	Motor Housing	1
34	081034	Bearing	1
35	081035	Hammer Pin	2
36	081036	Hammer Frame	1
37	081037	Hammer	2
38A	081038A	Standard Anvil (for 801500)	1
38B	081038B	6" Extended Anvil (for 801506)	1
40	081040	Thrust Washer	1
41	081041	Anvil Bushing	1
42	081042	Hammer Case Gasket	1
43	081043	Hammer Case	1
44	081044	Cap Screw	4
44A	081044A	Spring Washer	4
45	081045	Side Spade Handle	1
46	081046	Screw	4
46A	081046A	Spring Washer	4
47	081047	Hammer Case Seal	1
48	081048	O-Ring	1
49	081049	Socket Retainer	1
TK	0810TK	Tune-Up Kit (Includes Illustrated 2A.6.9.16	1 Set