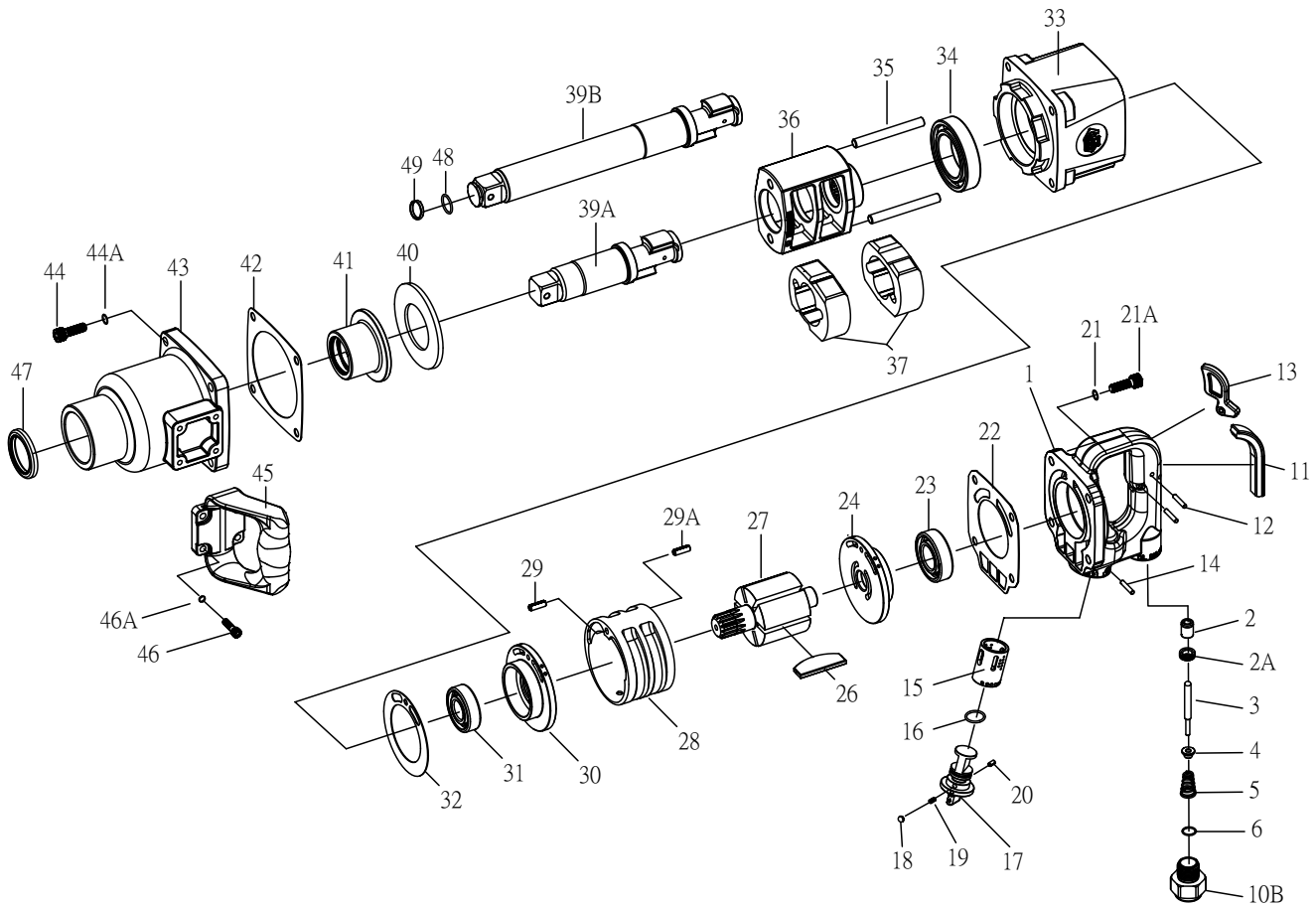




#5 Sp. Drive Super Duty Air Impact Wrench



Parts List : 501800,501806

2012.02

No.	Parts No.	Description	Q'ty
1	081801	Trigger Handle	1
2	081802	Throttle Valve Bushing	1
2A	081802A	Throttle Valve Seat	1
3	081803	Throttle Valve Stem	1
4	081804	Throttle Valve	1
5	081805	Throttle Valve Spring	1
6	081806	O-Ring	1
10B	081810B	Hose Fitting	1
11	081811	Rubber Cap (for Inside Trigger)	1
12	081812	Trigger Pin	2
13	081813	Trigger	1
14	081814	Spring Pin	1
15	081815	Valve Sleeve	1
16	081816	O-Ring	1
17	081817	Reverse Valve	1
18	081818	Steel Ball	1
19	081819	Spring	1
20	081820	Spring Pin	1
21	081821	Spring Washer	4
21A	081821A	Cap Screw	4
22	081822	Rear Cap Gasket	1
23	081823	Rear Rotor Bearing	1
24	081824	Rear End Plate	1
26	081826	Rotor Blade	6
27	081827	Rotor	1
28	081828	Cylinder	1

No.	Parts No.	Description	Q'ty
29	081829	Spring Pin	1
29A	081829A	Spring Pin	1
30	081830	Front End Plate	1
31	081831	Front Rotor Bearing	1
32	081832	End Plate Gasket	1
33	081833	Motor Housing	1
34	081834	Bearing	1
35	081835	Hammer Pin	2
36	081836	Hammer Frame	1
37	081837	Hammer	2
39A	081839A	Spline Drive Anvil (for 501800)	1
39B	081839B	6" Spline Drive Anvil (for 501806)	1
40	081840	Thrust Washer	1
41	081841	Anvil Bushing	1
42	081842	Hammer Case Gasket	1
43	081843	Hammer Case	1
44	081844	Cap Screw	4
44A	081844A	Spring Washer	4
45	081845	Side Spade Handle	1
46	081846	Screw	4
46A	081846A	Spring Washer	4
47	081847	Hammer Case Seal	1
48	081848	O-Ring	1
49	081849	Socket Retainer	1
TK	0818TK	Tune-Up Kit (Includes Illustrated 2A.6.9.16	1 Set